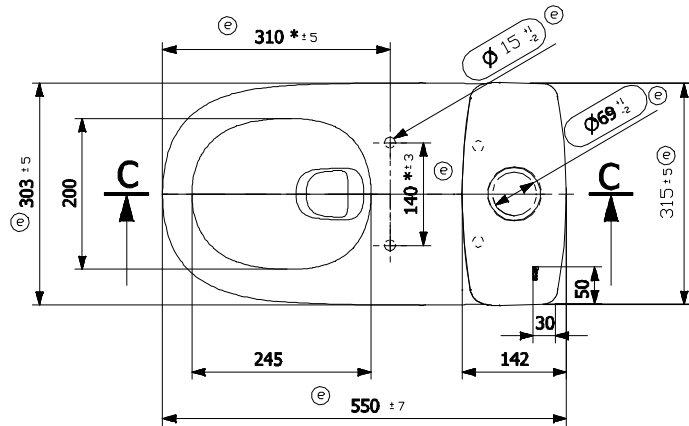
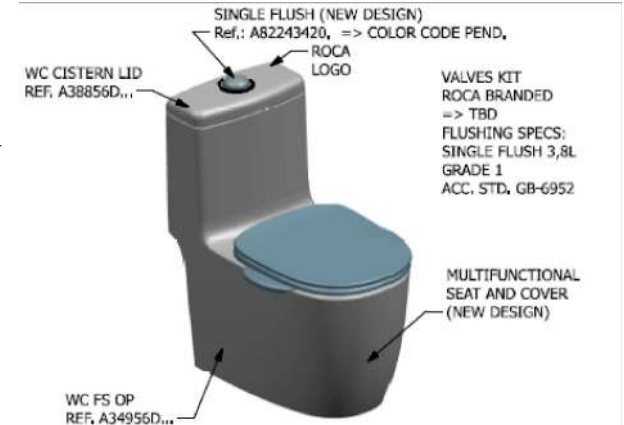
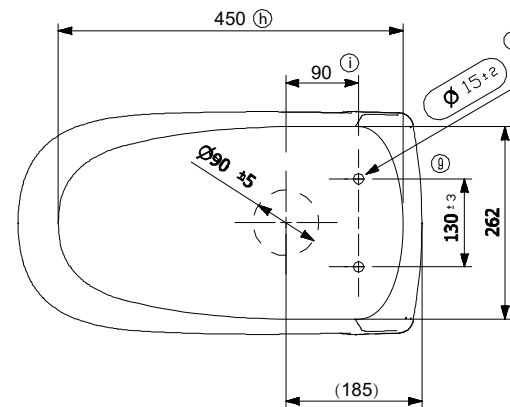
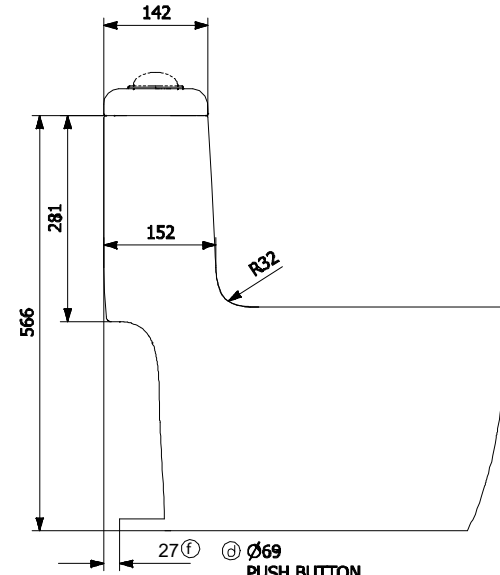
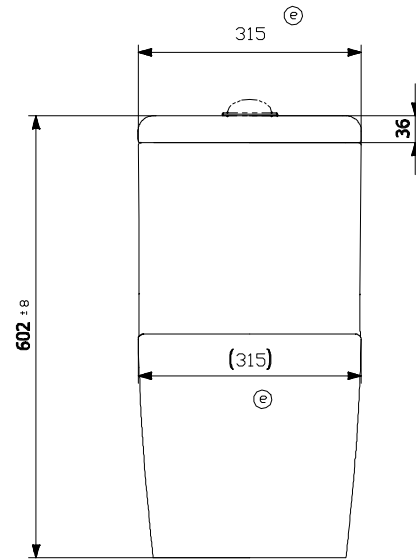


SECTION B-B



(*) FIXATION HOLES DEF. DIMENSION SHOULD BE ACC. NEW S&C AND HINGES DESIGN



CERAMIC PART CODE	MOULD N°	ROCA LOGO TYPE ACC/TO ADRW-392000311	STANDARD: see EP-3-26-01
A34956D...	4956D	No Roca logo decal	CN
A38856D...	8856D	B - Roca 16mm	

- ALL MARKS ACC/TO EP 3-26-01
- O-MARK ON PRODUCT ONLY WHEN LISTED ON ITS VALID PLANT-CERTIFICATE

Version	Date	Name	Material	Scale
Adjust the distance between the drain hole			MATERIAL: VITREOUS CHINA	
Created by:	21/01/2020	D.G.	A34956D... / A38856D...	RDC
Checked by:	21/01/2020	E.H.		
FINISHING:			WC FS OP 550 SIPH & WC CISTERN LID JUNIOR	SCALE 1:5
Weight:	25 Kg. test inated!	E.Hernandez	ADRW-00034956D	VERSION h