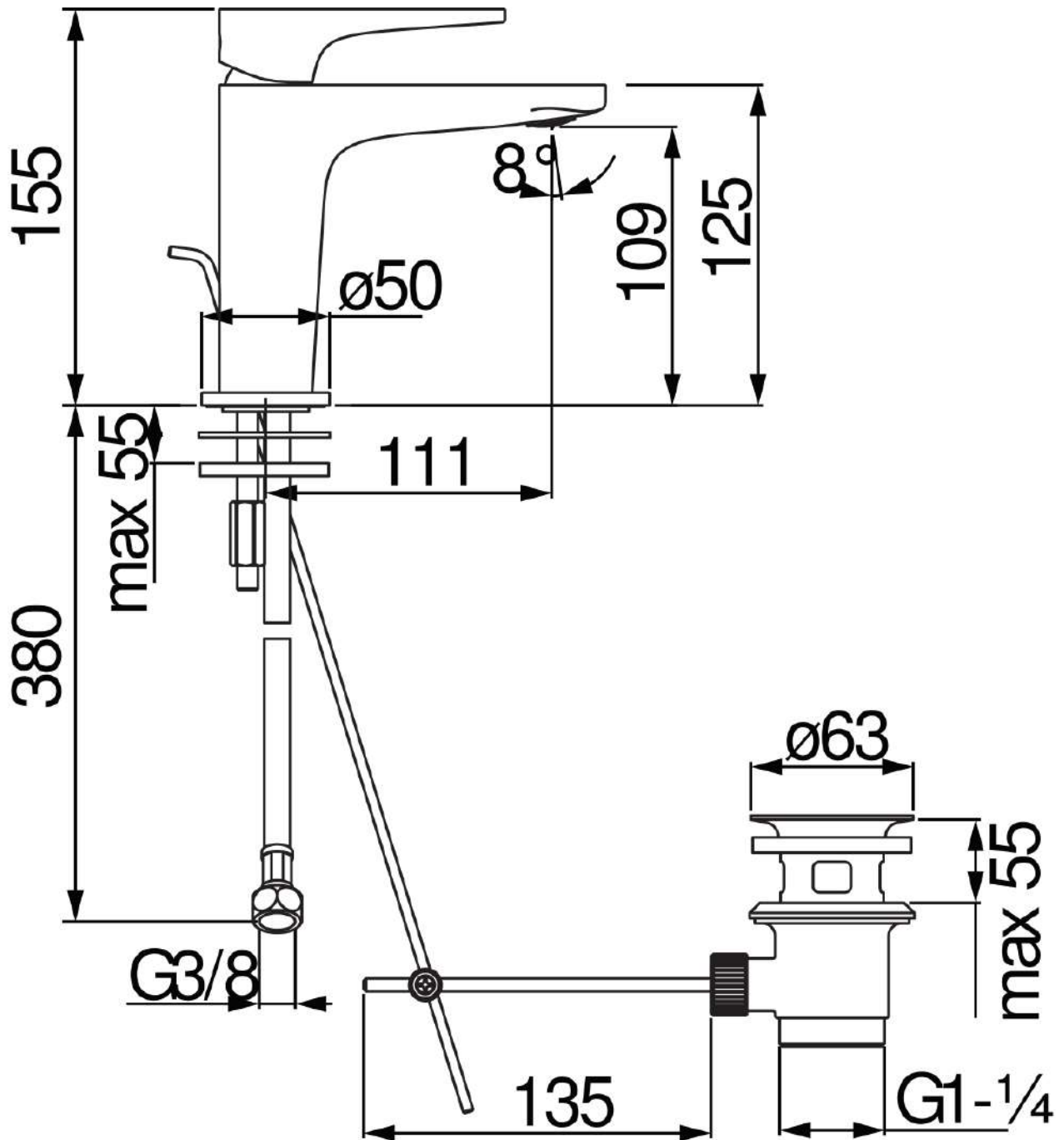


SPECIFICATIONS

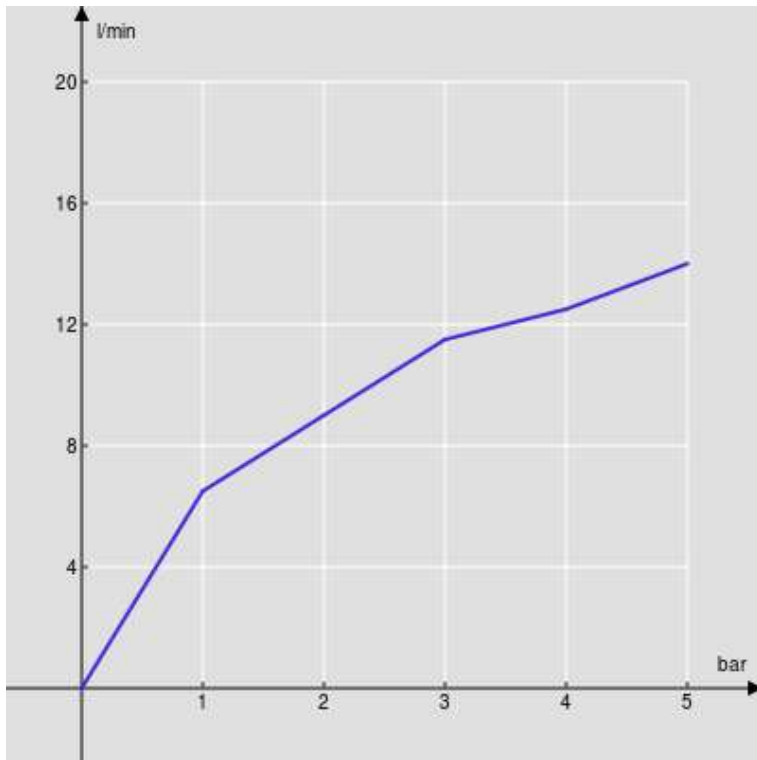
Single control
Velvet black
Anti limescale aerator M 24 x 1
1 1/4" waste with patented SNAP system
ø 3/8" stainless steel flexible pipe
50% two step cartridge for water saving
Packaging: 41,5 x 16 x 7,5 cm / 0,00498 m³ / 1,64 kg

CERTIFICATIONS



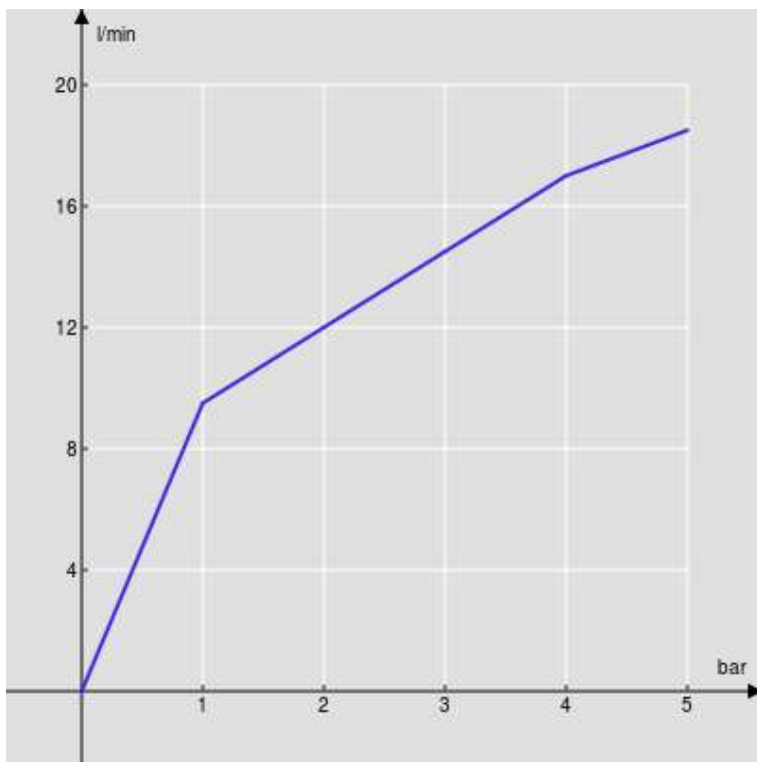


FLOW RATE DIAGRAM: HOT/COLD WATER



— Aerator

FLOW RATE DIAGRAM: MIXED WATER



— Aerator