



SPECIFICATIONS

Wall-mounted single-control external part with long spout

Chrome

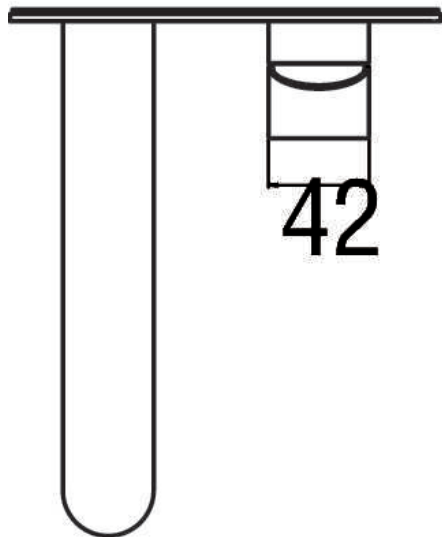
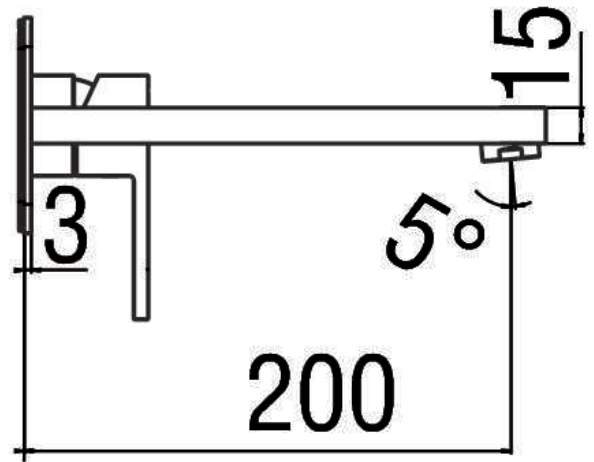
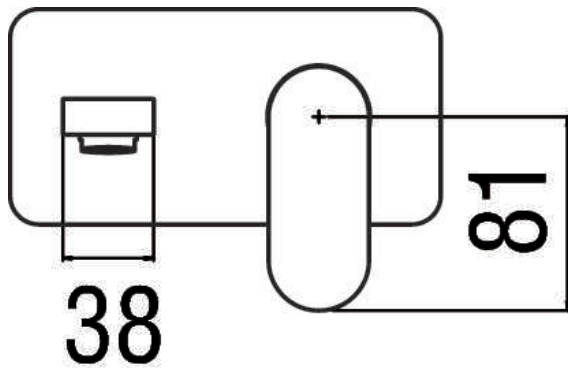
Anti limescale aerator M 24 x 1

Length of spout 200 mm

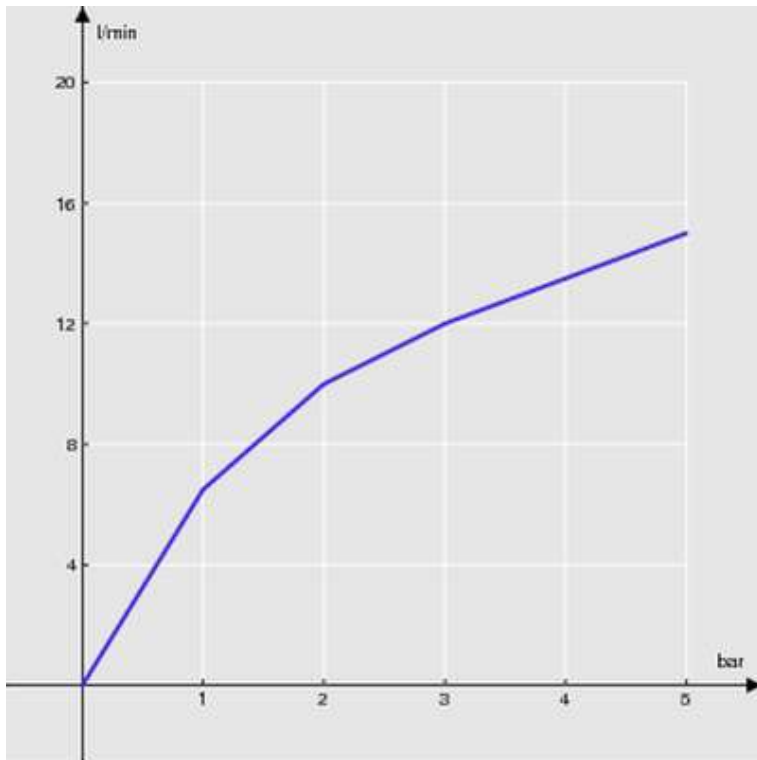
Without waste

50% two step cartridge for water saving

Packaging: 32 x 16,5 x 7 cm / 0,0037 m³ / 1,53 kg

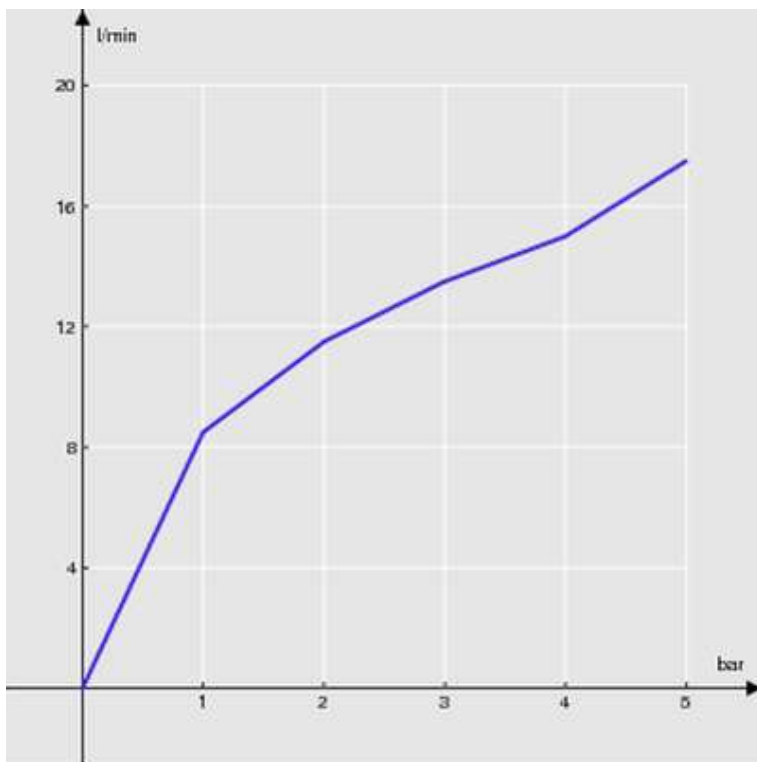


FLOW RATE DIAGRAM: HOT/COLD WATER



— Aerator

FLOW RATE DIAGRAM: MIXED WATER



— Aerator



SPECIFICATIONS

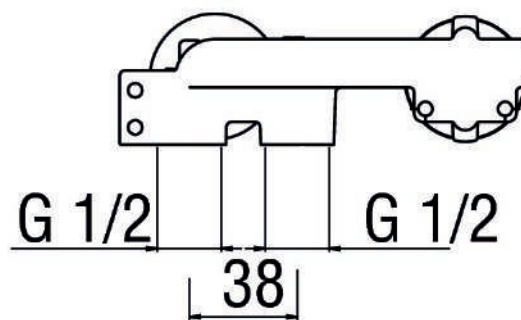
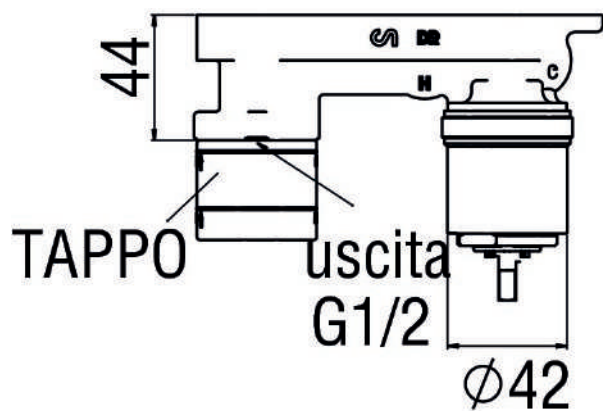
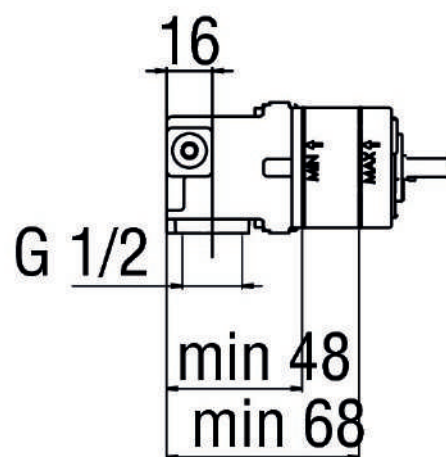
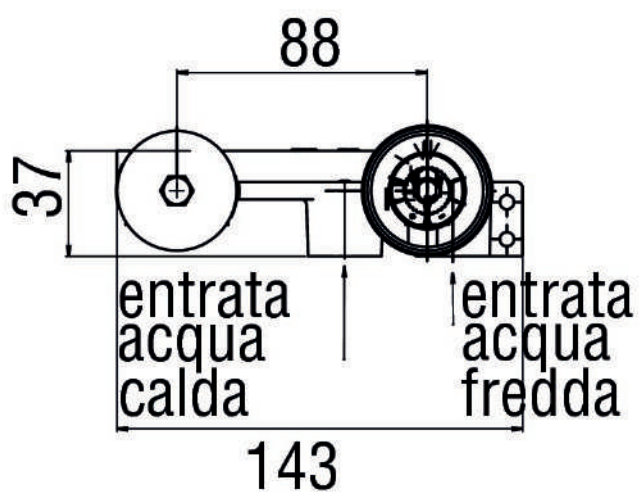
Required flush-fit part

Chrome

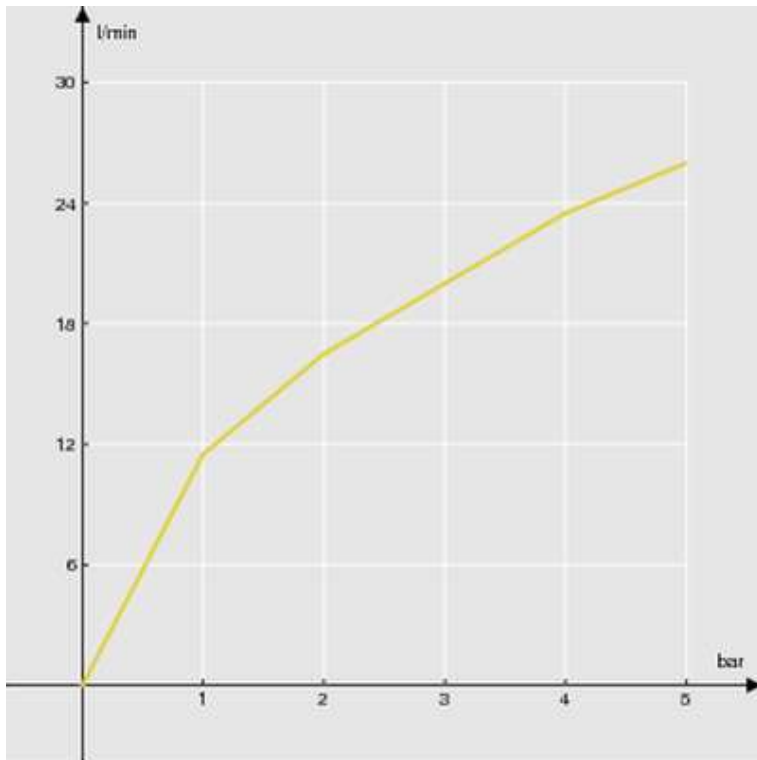
ø 1/2" hot and cold water inlet

1/2" outlet

Packaging: 16,5 x 12 x 5 cm / 0,00099 m³ / 0,98 kg

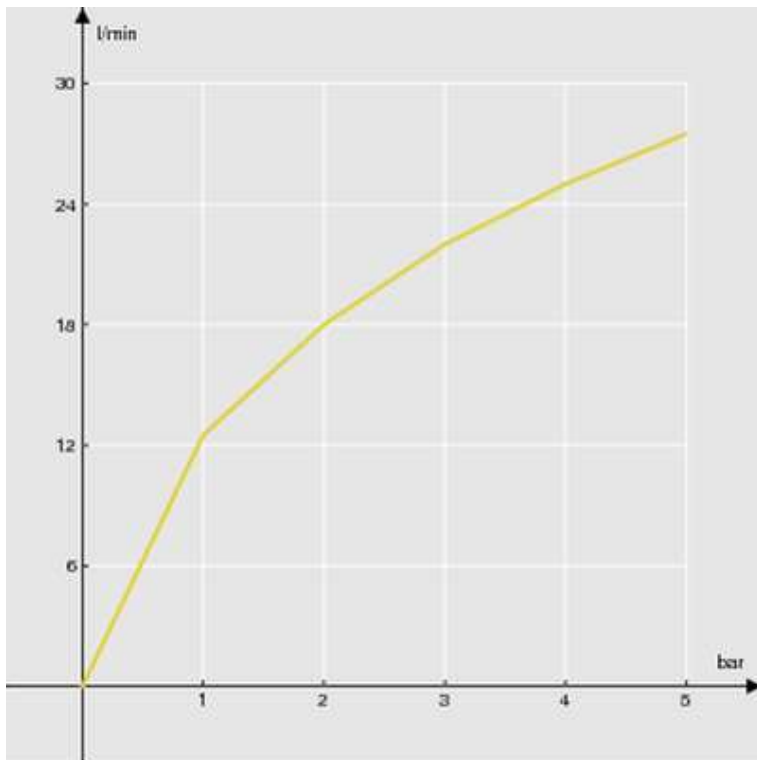


FLOW RATE DIAGRAM: HOT/COLD WATER



— 1st Way

FLOW RATE DIAGRAM: MIXED WATER



— 1st Way