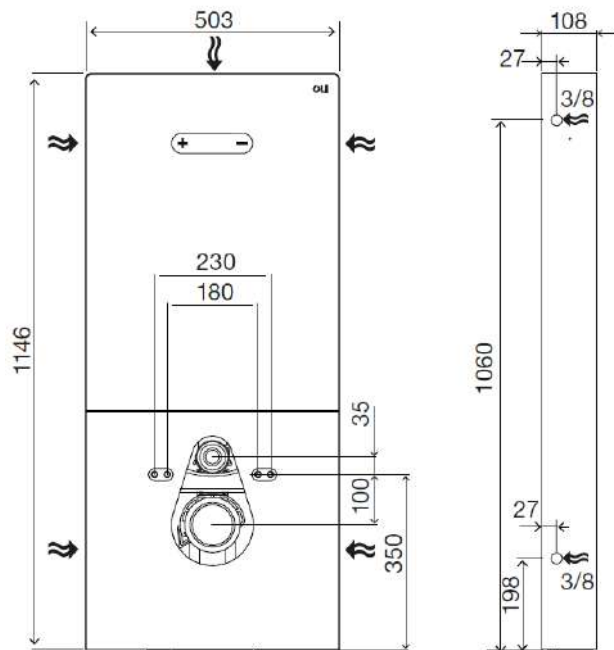


# Technical Sheet

QR INOX  
Pneumatic



## Product Identification

<b>061565</b>	QR-INOX White button Pneumatic hung-wc
<b>061568</b>	QR-INOX Black button Pneumatic hung-wc
<b>878137</b>	QR-INOX Gold button Pneumatic hung wc
<b>878164</b>	QR-INOX Taupe button Pneumatic hung wc
<b>878168</b>	QR-INOX Anthracite button Pneumatic hung wc
<b>878172</b>	QR-INOX Red button Pneumatic hung wc

## Definition and Application

- Sanitary module designed for application in front of the masonry wall and the best option for a quick renovation bathrooms or new sanitary installations
- Equipped with OLI74 Plus with pneumatic actuation through a stainless steel tilt selector button
- Compatible with hung wc

Millimetres measures

# Technical Sheet

QR INOX  
Pneumatic



## Technical Features

### Structure

- Euro Sanitarblock S90
  - Metal with 1,5mm thickness, corrosion resistant
  - Depth adjustable bend
  - Tested for 400kg load
- One piece, brushed stainless steel lateral frame
- Four external water entry positions or internal
- 6mm tempered glass front panel (split in two parts)

### Cistern

- Dual flush 6/3 litres
- Pneumatic actuation
- Working pressure from 0,1 to 16 bar
- Resistance to atmospheric humidity (Hr <90%).
- Polypropylene (PP) cistern highly resistant and inalterable to thermal stress
- EN 14055
- Equipped with Azor Plus Inlet Valve, with delayed refilling (saves up to 9 litres of water per day) and silent according to the NF standard category Class I
- Supplied with anti-condensation lining
- "A" class for the Water Efficiency in compliance with the ANQIP Authority requirements

### Accessories

- 1 Discharge pipe  $\varnothing$  90 x 300
- 1 Seal for discharge pipe  $\varnothing$  125
- 1 Connecting pipe  $\varnothing$  45 x 180
- 1 Pan rubber seal  $\varnothing$  45
- 1 Flush bend  $\varnothing$  90 / 90 L230
- 1 Flexible hose  $\frac{1}{2}$ " /  $\frac{1}{2}$ ", 250mm
- 1 Adaptor  $\varnothing$ 90/110
- 1 Connection 3/8
- 8 Lateral fixations

### Fixing the structure to the wall and floor

- 4 Galvanized screws M8x60
- 4 Galvanized washers M8 DIN 9021
- 4 Bushing for metal structure

### For fixing cistern on the structure:

- 2 Threaded rods M12
- 2 Nuts M12
- 2 Protection for threaded rod
- 2 Protection cover
- 2 Toilet centring washer
- 2 Washers Zn  $\varnothing$  34

## Warranty

Millimetres measures

# Technical Sheet

QR INOX  
Pneumatic



- Ten (10) years warranty for the cistern and the structure, according to the general selling terms, starting from the purchase date of the product.
- Two (2) years warranty for lateral frame and front panel according to the general selling terms, starting from the purchase date of the product
- If the product is not correctly installed the warranty is not valid

## Observations

- There are available similar products. For more information please consult our Sanitary Installation Systems catalogue or our site [www.oli-world.com](http://www.oli-world.com)