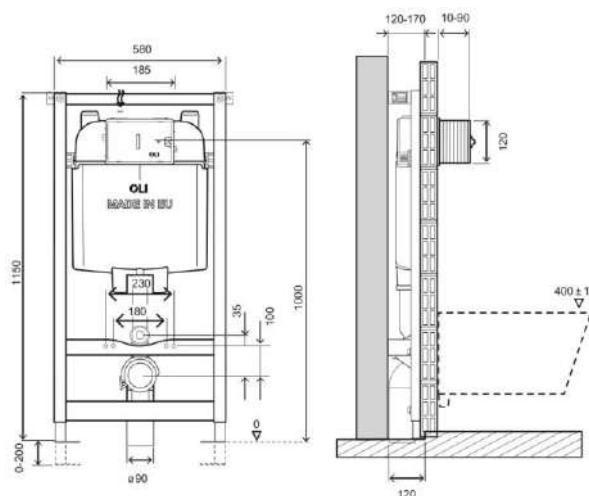


Technical Sheet

OLI74 Plus Mechanic Sanitarblock



Product Identification

601821

- OLI74 Plus Sanitarblock

Definition and Application

- Pre-assembled structure for installation in front of masonry wall and finish in light wall, plasterboard wall and technical support rail for light wall
- Compatible with all wall-hung WC pans

Technical Features

Structure

- In painted tubular corrosion resistant
- Easy and quick installation with Fast Fit system
- Minimum thickness of 120mm and adjustable up to 170mm
- Height regulation of the adjustable floor brackets (0-200 mm);
- Depth adjustable outlet bend
- Tested for 400kg load

Cistern

- Dual flush of 6/3 litres (adjustable to 7/3)
- Mechanic actuation
- Working pressure from 0,1 to 16 bar
- Resistance to atmospheric humidity (Hr <90%).
- Polypropylene (PP) cistern highly resistant and inalterable to thermal stress
- Certified cistern according KIWA/SABS/SAI/WRAS standards CE EN 14055 marking CL1
- Equipped with Azor Plus Inlet Valve, with delayed refilling (saves up to 9 litres of water per day) and silent according to the NF standard category Class I
- Supplied with anti-condensation lining
- "A" class for the Water Efficiency in compliance with the ANQIP Authority requirements

Millimetres measures

Technical Sheet

OLI74 Plus Mechanic Sanitarblock



Accessories

- 1 Flush pipe \varnothing 90 x 250
- 1 Seal for flush pipe \varnothing 125
- 1 Connecting pipe \varnothing 45 x 180
- 1 Pan rubber seal \varnothing 45
- 1 Protective box
- 1 G 1/2" stop valve
- 1 Protection sponge for the stop valve
- 1 Flush bend \varnothing 90 / 90 L230
- 1 Adaptor \varnothing 90 / 90/110
- 1 Protection pipe \varnothing 90
- 1 Protection pipe \varnothing 45

Fixing accessories for wall structure:

- 4 Galvanized screws M8x60
- 4 Galvanized washers M8 DIN 9021
- 4 Bushing for metal structure
- 2 Fast Fit fixing

Fixing accessories for toilet bowl mounting on the structure:

- 2 Threaded rods M12
- 2 Nuts M12
- 2 Protection for threaded rod
- 2 Protection cover
- 2 Toilet centring washer
- 2 Washers Zn \varnothing 34

Warranty

For the terms of warranty please visit www.oli-world.com

Observations

There are available similar products. For more information please consult our Sanitary Installation Systems catalogue or our site www.oli-world.com