

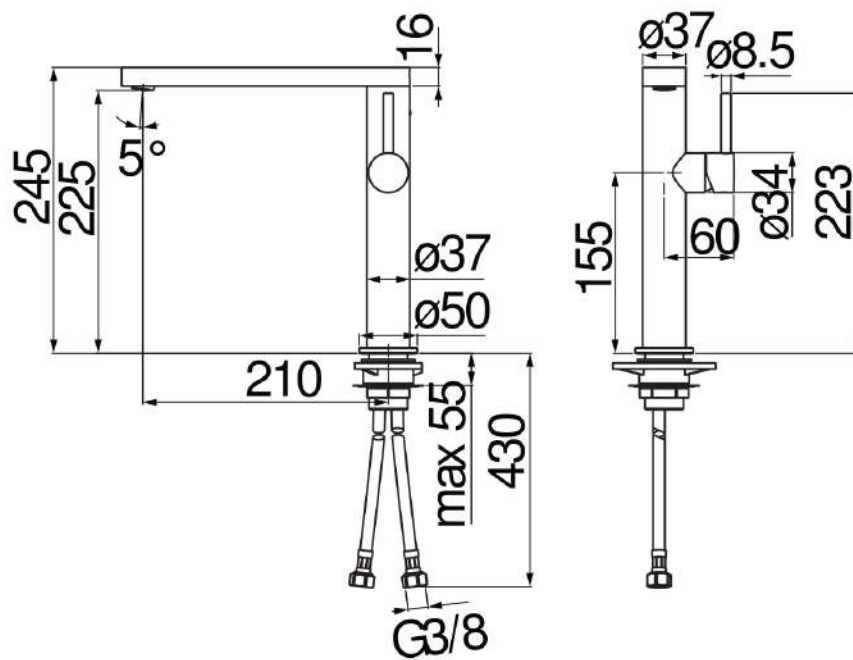


SPECIFICATIONS

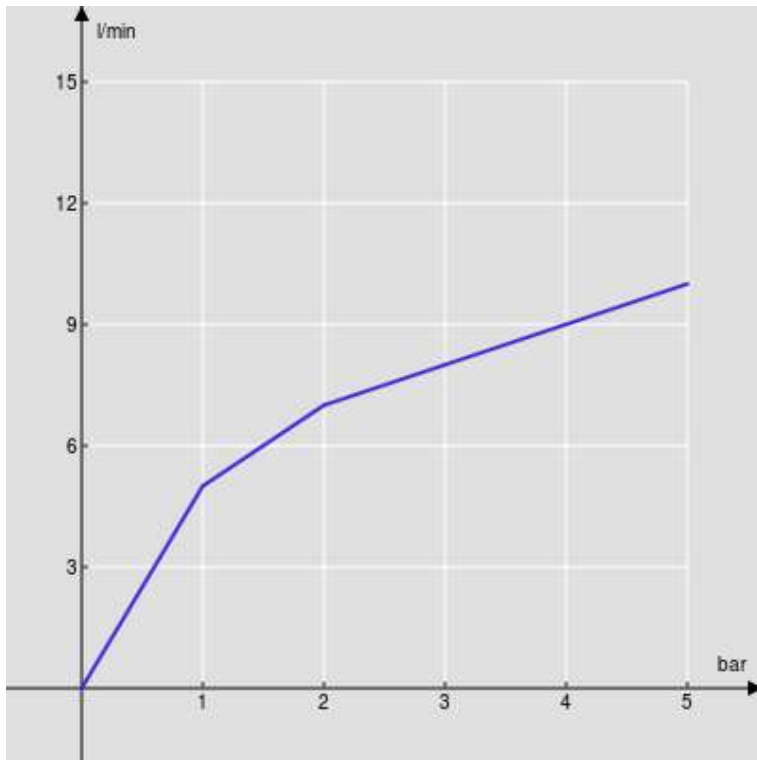
Single control Chrome mixer and FENIX NTM® cover  
Chrome  
360° swivel spout  
Anti limescale aerator M 24 x 1  
ø 3/8" stainless steel flexible pipe  
50% two step cartridge for water saving

CERTIFICATIONS



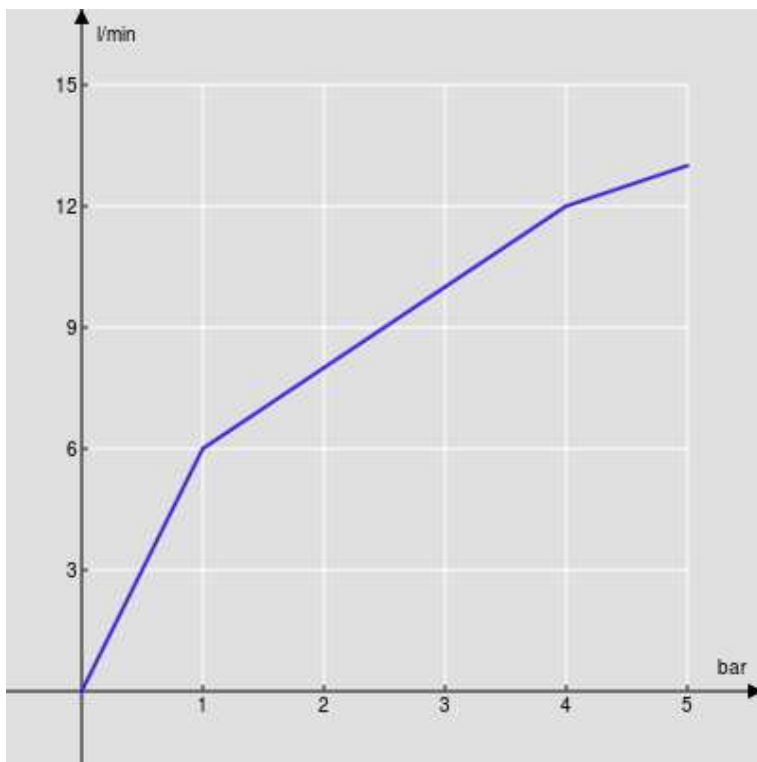


FLOW RATE DIAGRAM: HOT/COLD WATER



— Aerator

FLOW RATE DIAGRAM: MIXED WATER



— Aerator