

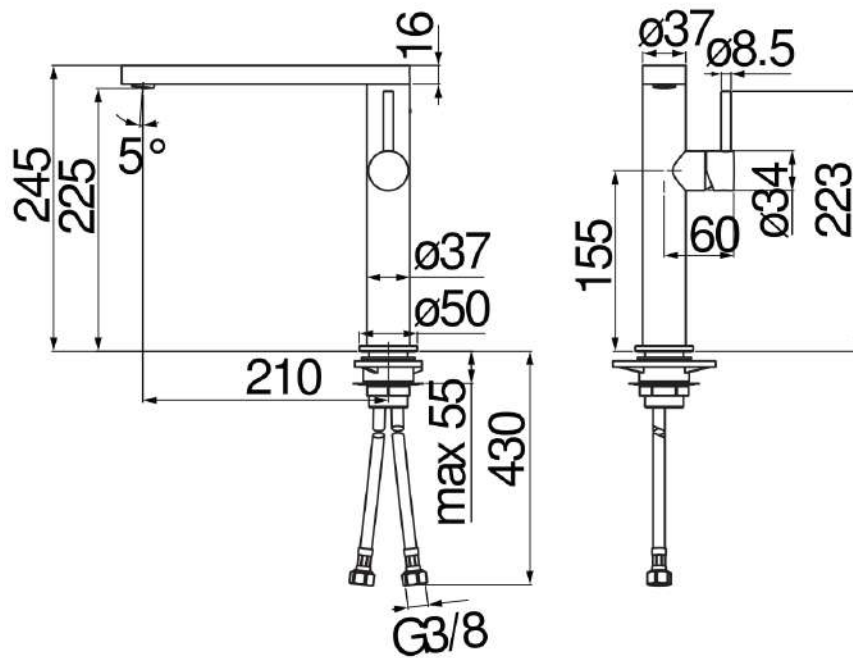


#### SPECIFICATIONS

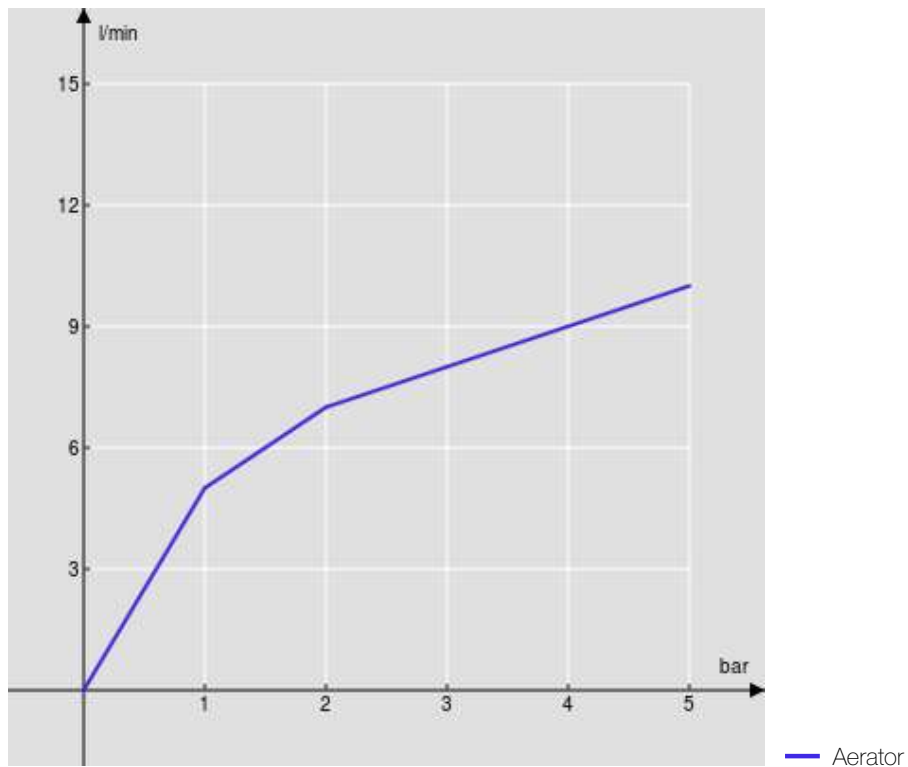
Single control Velvet black mixer with FENIX NTM® cover  
Velvet black  
360° swivel spout  
Anti limescale aerator M 24 x 1  
ø 3/8" stainless steel flexible pipe  
50% two step cartridge for water saving

#### CERTIFICATIONS





FLOW RATE DIAGRAM: HOT/COLD WATER



FLOW RATE DIAGRAM: MIXED WATER

