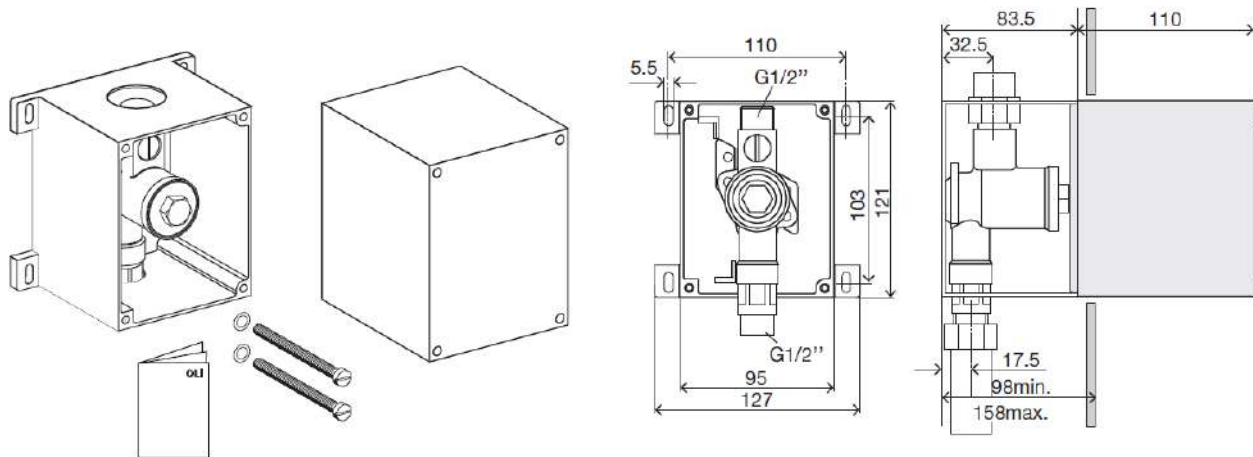


# Technical Sheet

Urinal concealed pre-installation



## Product Identification

879017

- Urinal concealed pre-installation

## Definition and Application

- Concealed pre-installation for urinal plate, available for all kind of walls

## Technical Features

- Operating pressure: 0,8-5 bar;
- Flow rate: ca.0,3l/s
- Connection: G1/2
- Dimensions: 121 X 110 X 83.5 mm
- Required pre-installation

Accessories:

- 2 screws for assembling

## Compatibility

- Frames Urinal Sanitarblock and Eco Urinal

Millimetres measures

# Technical Sheet

Urinal concealed pre-installation



## Warranty

---

- Two (2) years warranty according to the general selling terms, starting from the purchase date of the product.
- If the product is not correctly installed the warranty is not valid

## Observations

---

- The concealed pre-installation has to be installed before closing the wall
- There are available similar products. For more information please consult our Sanitary Installation Systems catalogue or our site [www.oli-world.com](http://www.oli-world.com)