



SPECIFICATIONS

Built-in 1-way single control mixer

Chrome

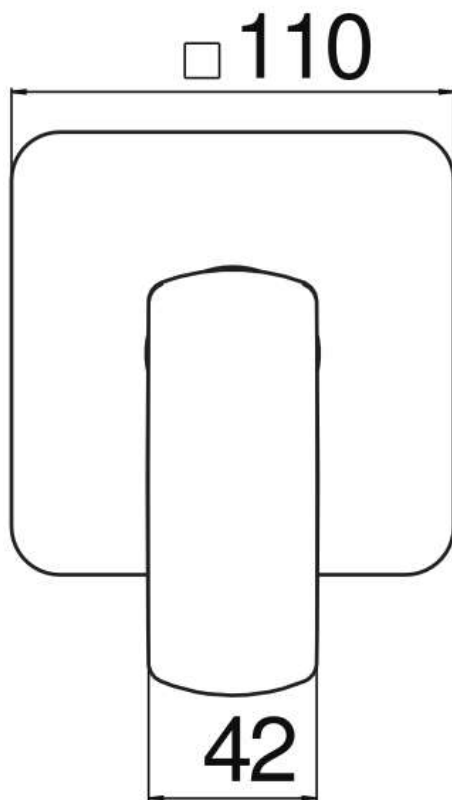
ø 1/2" hot and cold water inlet

1/2" outlet

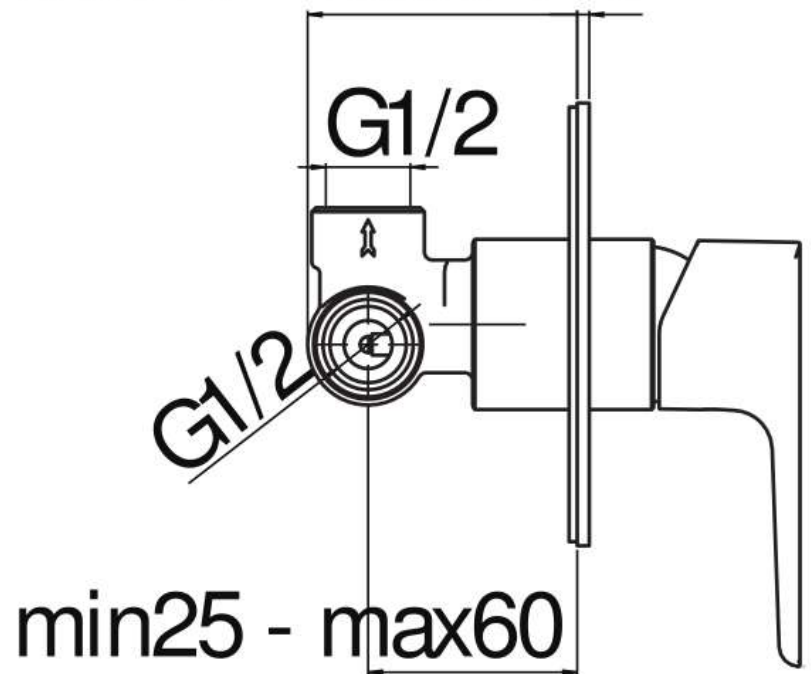
External part and flush-fit part

50% two step cartridge for water saving

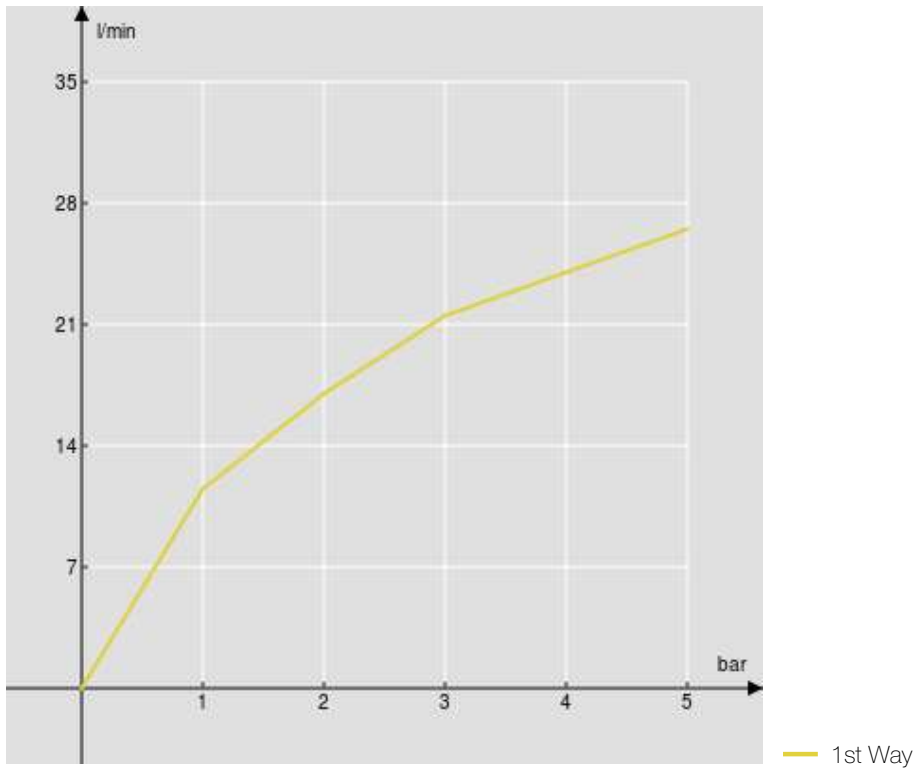
Packaging: 14 x 12,5 x 8 cm / 0,0014 m³ / 1,19 kg



min40 - max75 3



FLOW RATE DIAGRAM: HOT/COLD WATER



FLOW RATE DIAGRAM: MIXED WATER

