



SPECIFICATIONS

Wall-mounted single control external part long spout

Chrome

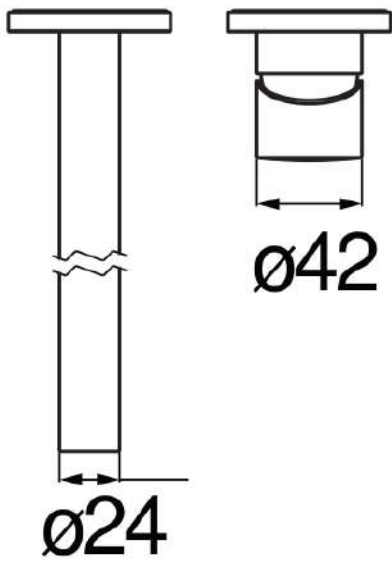
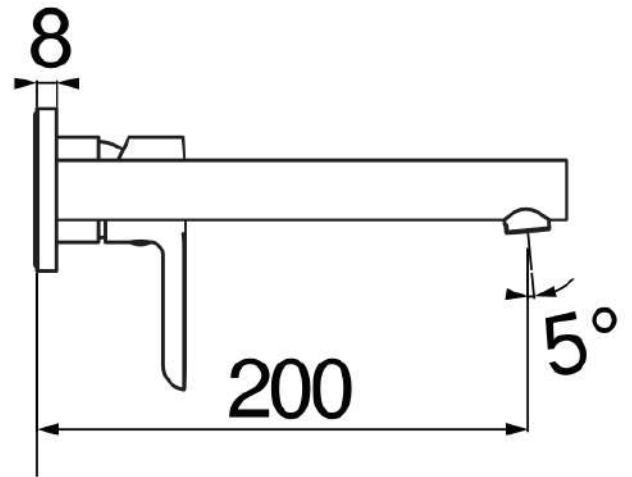
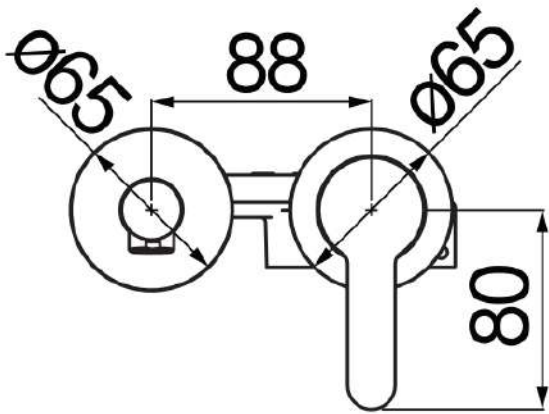
Anti limescale aerator M 18 x 1

Length of spout 200 mm

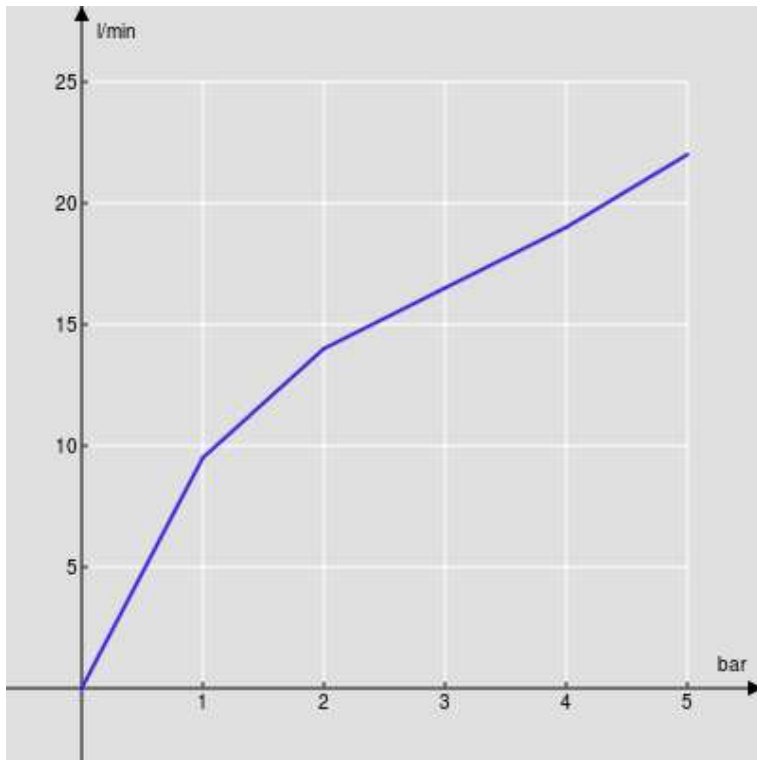
Without waste

50% two step cartridge for water saving

Packaging: 32 x 16,5 x 7 cm / 0,0037 m³ / 1,8 kg

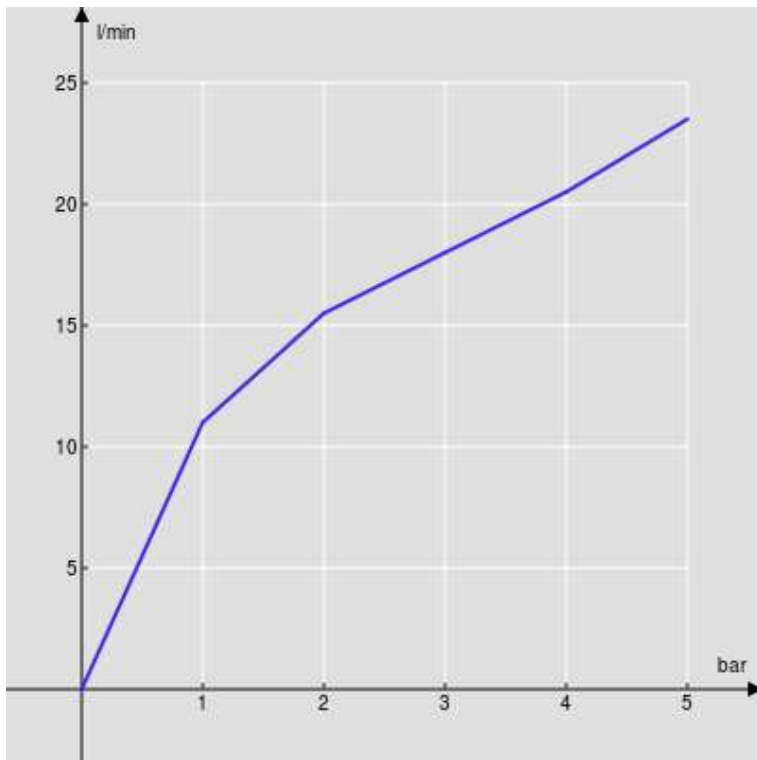


FLOW RATE DIAGRAM: HOT/COLD WATER



— Aerator

FLOW RATE DIAGRAM: MIXED WATER



— Aerator